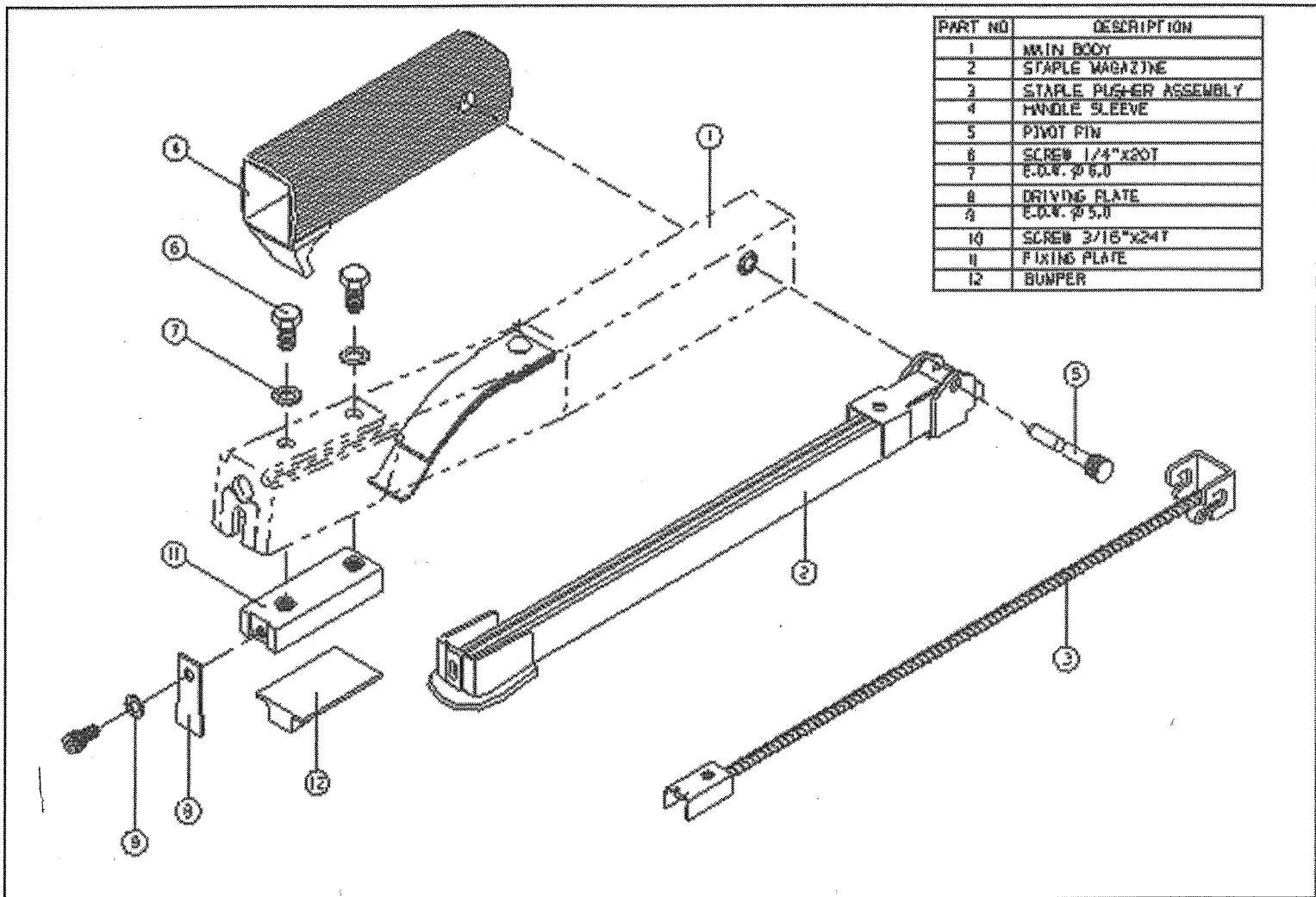


HD5019 & G54A Hammers



PART NO	DESCRIPTION
1	MAIN BODY
2	STAPLE MAGAZINE
3	STAPLE PUSHER ASSEMBLY
4	HANDLE SLEEVE
5	PIVOT PIN
6	SCREW 1/4"x20T
7	E.W.W. Ø 6,0
8	DRIVING PLATE
9	E.W.W. Ø 5,0
10	SCREW 3/16"x24T
11	FIXING PLATE
12	BUMPER

Part No	Description
G14755 - 01A	Handle assy
G14755 - 03	Pusher assy
G14755 - 04	Handle grip
G14755 - 05	Pivot pin